

User's Manual

For

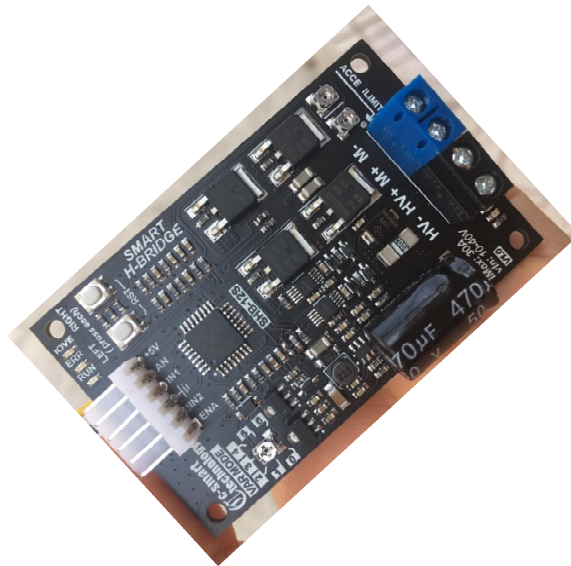
CCS_SHB12

Smart H-bridge

Revision 1.0

©2024 All Rights Reserved

Attention: Please read this manual carefully before using the driver!



Cc-Smart Technology Co., Ltd

1419/125 Le Van Luong, Phuoc Kien Commune, Nha Be District, Ho Chi Minh City, Viet Nam.

Tel: +84983029530 Fax: No

URL: www.cc-smart.net E-mail: ccsmart.net@gmail.com

The content in this manual has been carefully prepared and is believed to be accurate, but not responsibility is assumed for inaccuracies.

Cc-Smart reserves the right to make changes without further notice to any products herein to improve reliability, function or design. Cc-Smart does not assume any liability arising out of the application or use of any product or circuit described herein; neither does it convey any license under its patent rights of others.

Cc-Smart’s general policy does not recommend the use of its products in life support or aircraft applications wherein a failure or malfunction of the product may directly threaten life or injury. According to Cc-Smart’s terms and conditions of sales, the user of Cc-Smart’s products in life support or aircraft applications assumes all risks of such use and indemnifies Cc-Smart against all damages

**©2024 by Cc-Smart Technology Company Limited.
All Rights Reserved**

Table of Contents

1. Introduction, Features and Applications.....	3
Introduction.....	3
Features.....	4
Applications	4
2. Specification and Operating Environment	4
Mechanical Specification.....	4
Elimination of Heat.....	5
Electrical Specifications	5
Operating Environment and Parameters	5
3. Connections	5
General information	6
PWM Bi Direction Mode Connection:	6
PWM/DIR Mode Connection:	7
ANALOG/DIR Mode Connection:.....	7
UART Mode Connection:	7
RC Mode 1 Connection (<i>Independent Mode</i>):	8
RC Mode 2 Connection (<i>Mixed Mode</i>):	8
ANALOG Joystick Mode Connection:.....	9
4. UART Command Feature:	9

UART Parameter.....	9
UART Command:.....	9
5. Configuration:.....	10
DIP SWITCH MODE Configuration:	10
Acceleration/Deceleration Configuration:	10
6. Protection & Indication Feature:.....	11
Protection:.....	11
Indication:.....	12
7. ENABLE/STATUS Pin Feature:.....	12
8. Recommendation:	12
Wire Gauge.....	12
System Grounding.....	13
Power Supply Connection.....	13

1. Introduction, Features and Applications

Introduction

The driver is H-Bridge Driver which is designed to control a brushed DC motor about the Velocity, Direction... The Motor is controlled by MOSFETs with 16 KHz switching to optimum performance and noise.

The driver is Smart H-Bridge Driver with support **Acceleration/Deceleration** feature. This feature will help protect the Electric, Mechanical...It will be useful for many applications.

The driver also supports two **Electric Current Home Sensor inside** to limit the moving left and right. The user doesn't need to add more extended limit switch. This driver will monitor the current when the Motor is running, if the current of the Motor is the same as with the iLimit (iLimit is a current limit setting by potentiometer in PCB), the driver will set a Touched Flag and stop moving that direction. To move, the driver needs to be controlled by reverse direction or the Touched Flag needs to be clear.

The driver supports many protection methods as Under voltage, Over voltage, Over temperature, Over Current. These protection features are very important and help to keep the protection system.

Special, The Smart H-bridge supports all most common communication methods. The user is easy to choose that method by the Dip Switch in Pcb:

- ✓ **PWM/Dir**
- ✓ **PWM Bi-direction**

- ✓ Analog/Dir
- ✓ Analog Bi-Direction
- ✓ Uart
- ✓ PPM signal (RC).

Features

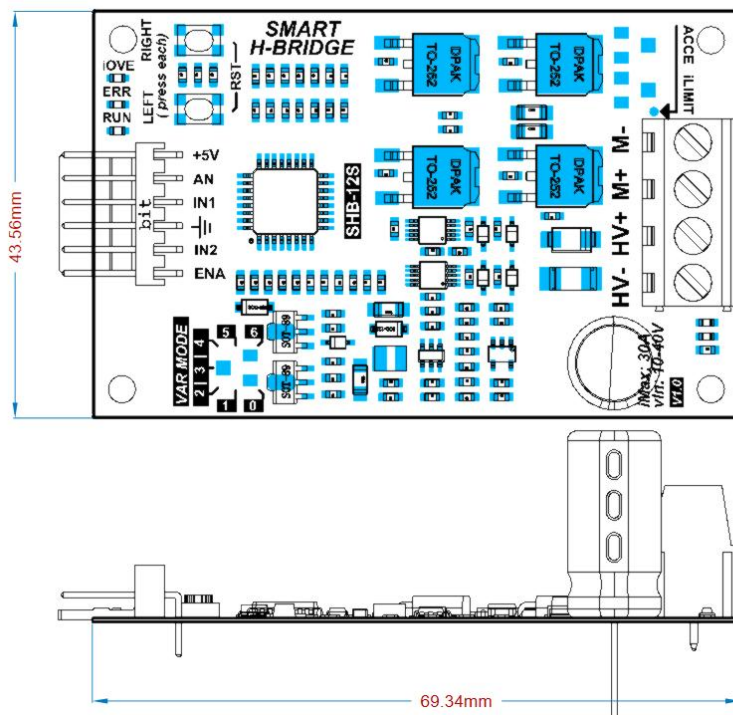
- ✓ 10-40VDC Supply
- ✓ 12A Continuously Current, 30A peak.
- ✓ 300W Maximum.
- ✓ **Bi-directional** control for a brushed DC motor.
- ✓ **Acceleration/Deceleration** modify able.
- ✓ **Soft Left/Right Home sensor**
- ✓ MOSFETs are switched at 16 KHz for quiet operation.
- ✓ Two push buttons for fast test and manual operation.
- ✓ Communication support: **PWM/Dir, PWM Bi-direction, Analog/Dir, Analog Bi-Direction, Uart, PPM signal.**
- ✓ Protection support: **Under voltage, Over voltage, Over temperature, Over Current.**
- ✓ **No polarity protection for V motor.**

Applications

- ✓ Car, Toy...
- ✓ Robot...
- ✓ CNC...

2. Specification and Operating Enviroment

Mechanical Specification



Elimination of Heat

- ❖ Driver's reliable working temperature should be <math><100^{\circ}\text{C}</math>
- ❖ It is recommended to mount the driver vertically to maximize heat sink area.

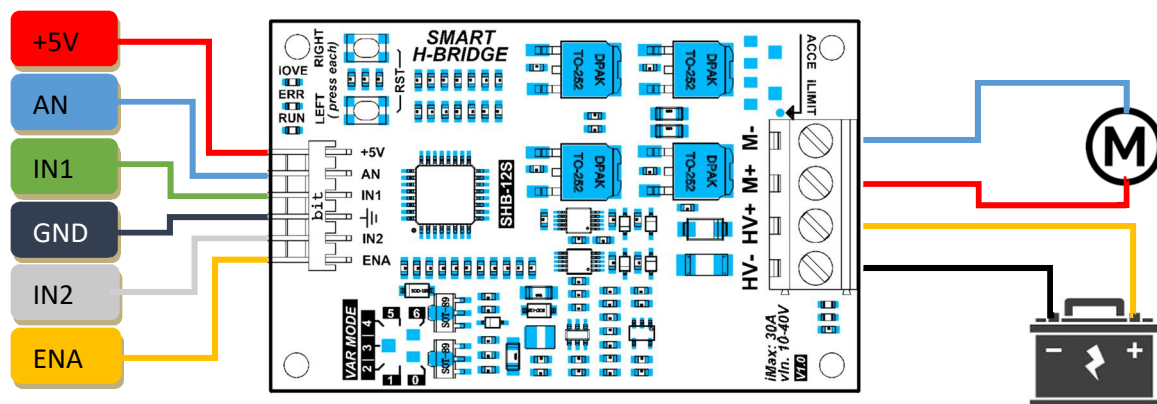
Electrical Specifications (Tj = 25°C / 77°F)

Parameters	MSDI			
	Min.	Typical	Max.	Unit
Peak Output Current	0	-	30	A
Continuous Output Current(*)	0	-	12	A
Power Supply Voltage	+8	-	+40	VDC
V _{IOH} (Logic Input - High Level)	2	-	28	V
V _{IOL} (Logic Input - Low Level)	0	-	0.8	V
+5V Output Current	-	-	250	mA
Analog Pin (AN)	0	-	3.3	V
ENA Pin	0	-	4.2	V

Operating Environment and Parameters

Cooling	Natural cooling or forced cooling	
Operating Environment	Environment	Avoid dust, oil fog and corrosive gases
	Ambient Temperature	0°C – 50°C (32°F – 122°F)
	Humidity	40%RH – 90%RH
	Vibration	5.9 m/s ² Max
Storage Temperature	-20°C – 65°C (-4°F – 149°F)	
Weight	Approx. 50 grams	

3. Connections (Note: Please Setting DIP SWITCH Mode also)

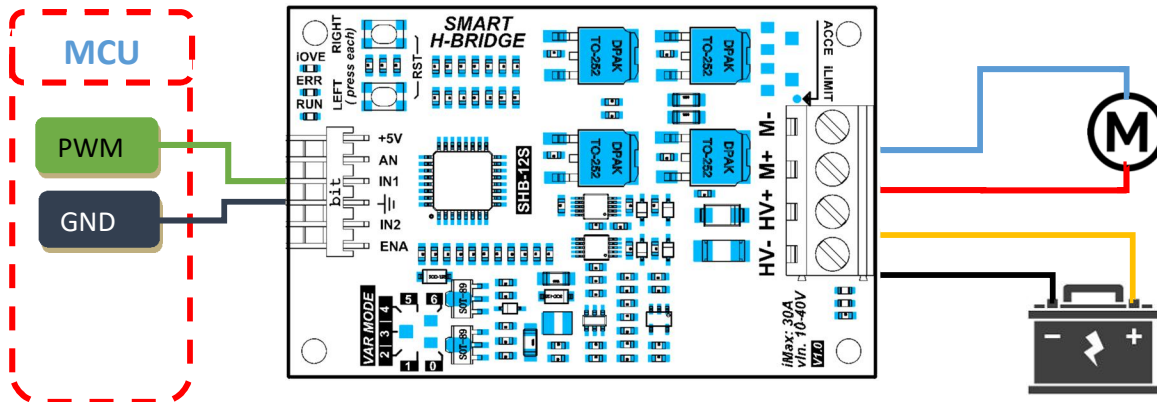


General information

Control Signal			
Pin	Signal	Description	I/O
1	+5V	5V, 250mA Output Power	O
2	AN	Analog Input	I
3	IN1	PWM/RX/PPM/ANA_JOY	I
4	GND	Ground of control signal	I
5	IN2	DIR/TX/3V3	I/O
6	ENA	Status and Reset	I/O

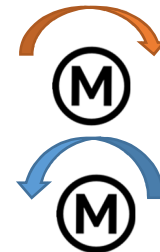
POWER and MOTOR Connection			
Pin	Signal	Description	I/O
1	Vin-	Ground of the auxiliary power supply	I
2	Vin+	8-40V power supply	I
3	Ma	Motor negative connection	O
4	Mb	Motor positive connection	O

PWM Bi Direction Mode Connection:

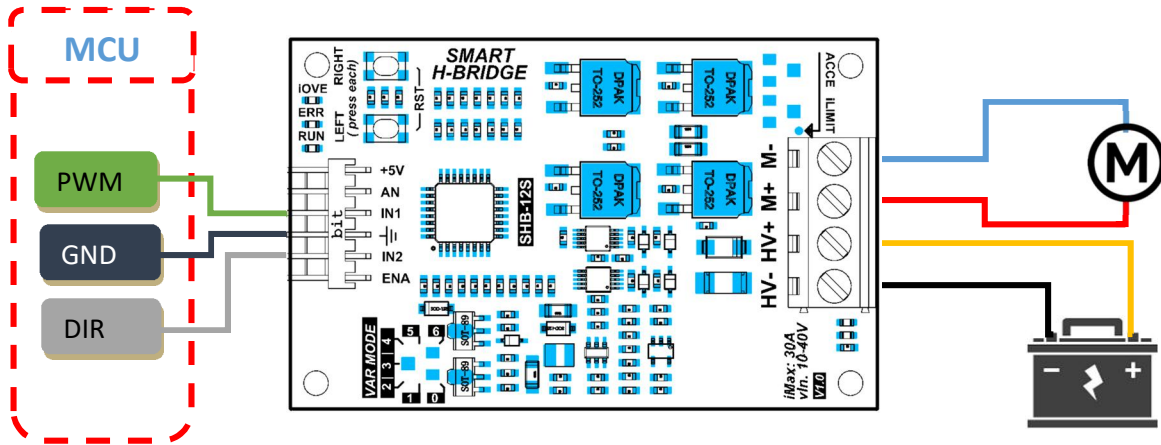


PWM 0-48% ⇔ Velocity 0 => Vmax (forward)

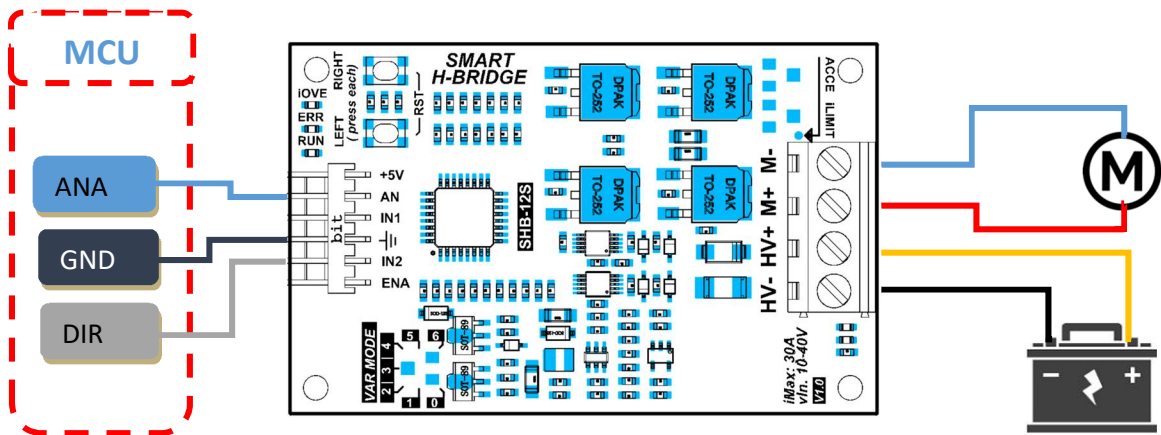
PWM 50-100% ⇔ Velocity 0 => -Vmax (reverse)



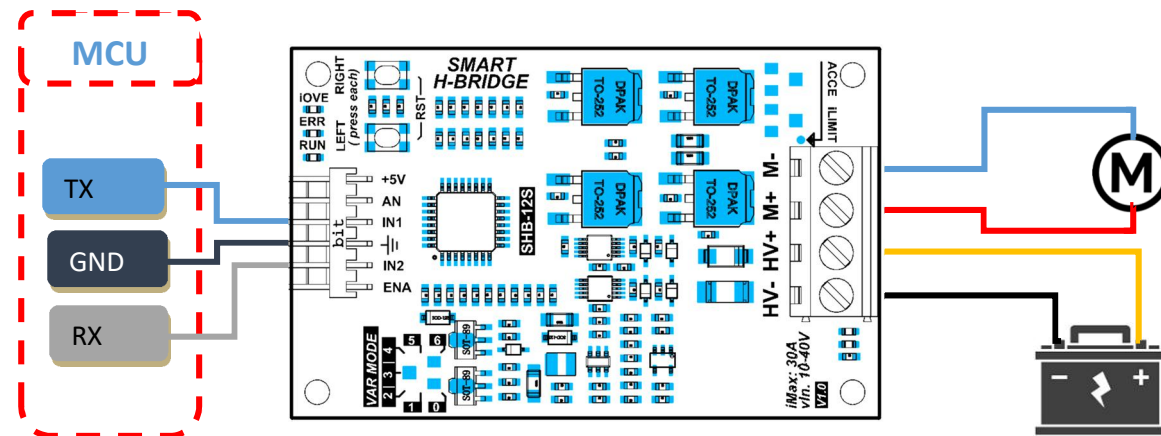
PWM/DIR Mode Connection:



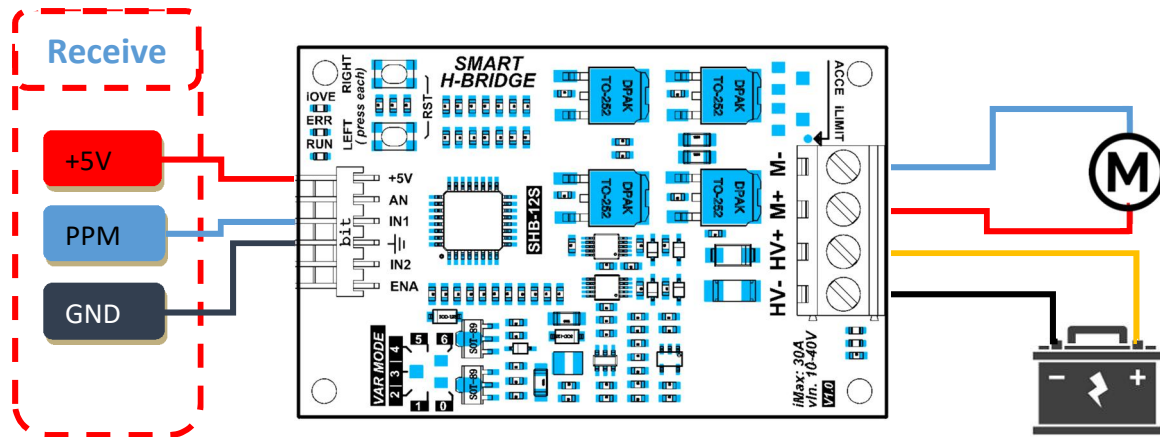
ANALOG/DIR Mode Connection:



UART Mode Connection:

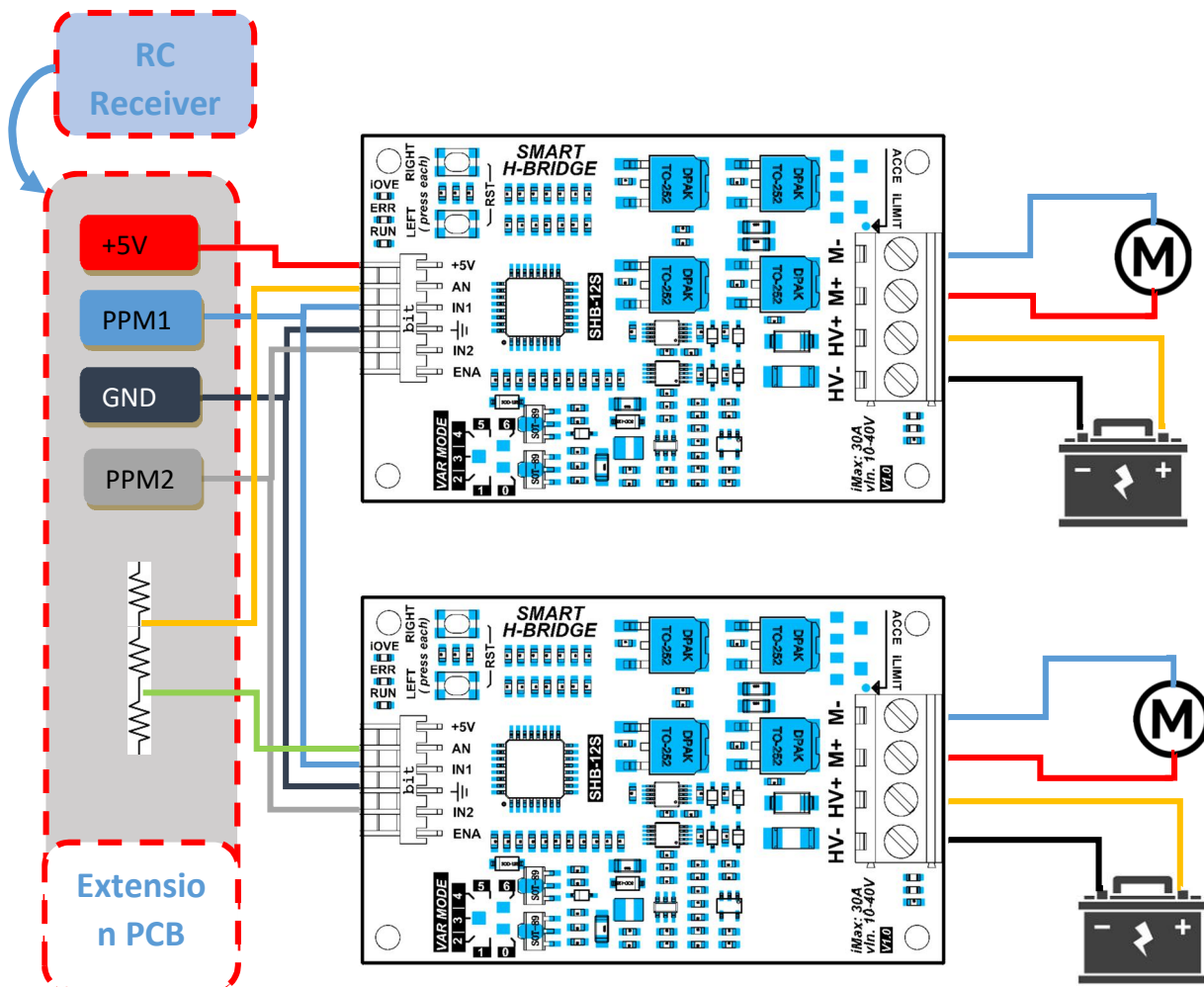


RC Mode 1 Connection (Independent Mode):

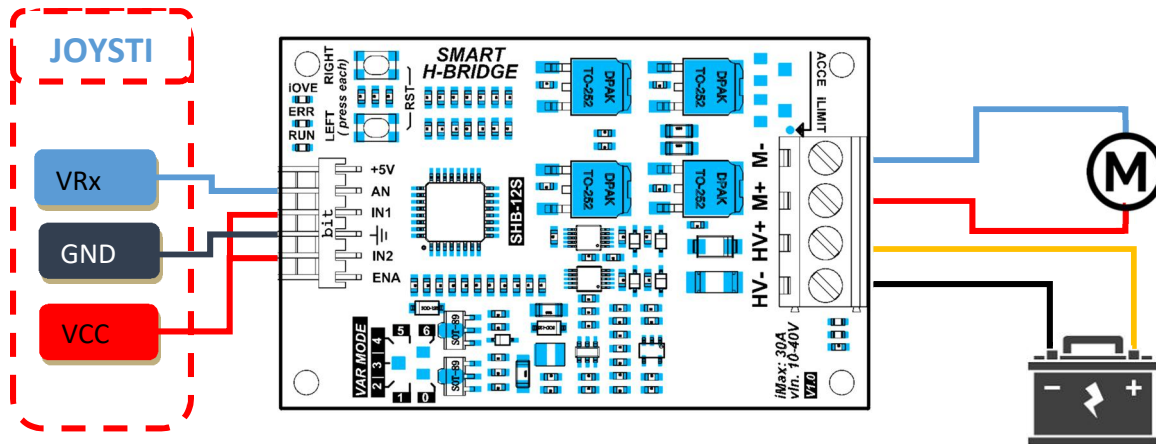


RC Mode 2 Connection (Mixed Mode):

The RC Mixed mode will combine two H-Bridges to work together to control two Left and Right Motor resulting in forward, backward, turning left and right movement of the differential drive robot. When two Bridges are configured in RC mode and connected with **RC-Extension PCB**. They will be in the RC Mixed mode.



ANALOG Joystick Mode Connection:



4. UART Command Feature:

This driver support **ASCII UART** command line. User can use UART interface to communicate with the driver.

Any Smart Driver is **addressed in the manufacture and work as Slave Mode in the UART Network**. A MCU can work as Master mode and communicate to many slave (Smart Driver)

UART Parameter

Baud Rate: 115200
 Word Length: 8 Bit
 Stop Bits: 1
 Parity: None

UART Command:

Host Send Format:

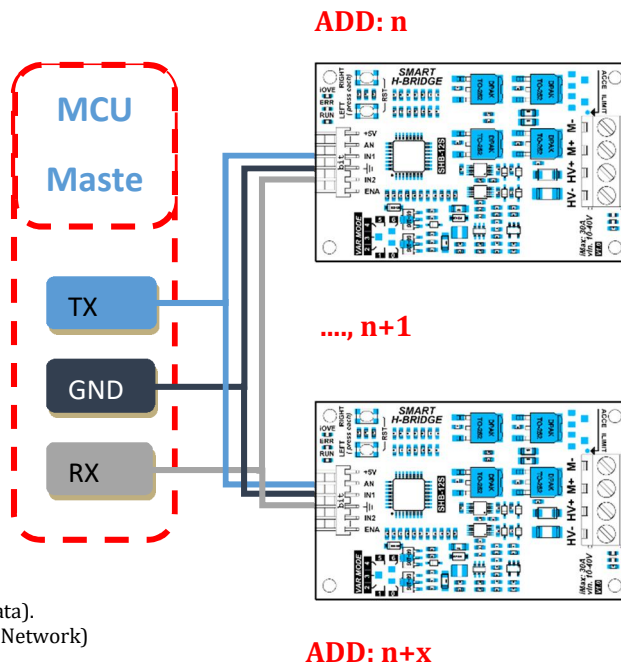
$Nx [?] [Dy] [Az] [C] [R1607] [Gj] [S] \backslash n$
 Nx: x = address of driver (0 Broadcast)
 ?: Help Command, this will ignore other commands (x>0)
 Dy: y = duty(-1000 =< y <=1000; y>0: dir=1; y<=0: dir=0)
 Az: z= Acceleration(0 =< j <= 65000); z=0: No Ramming
 C: Clear error
 R1607:Reset MCU
 K: Need send back the rx command.
 S: Check sum of command $S = [atoi(x)] + [atoi(y)] + [atoi(z)]$
 G: Get driver information (G1: One Time; G3 get to Ultil new data).

Example1: $N0 ? \backslash n$ (Request address of all exist driver in Uart Network)
Example2: $N1 ? \backslash n$ (Request Help from driver 1)
Example3: $N1 D500 A200 G3 \backslash n$ (Set driver velocity =50% and Get state).

Host Request Help from driver X:

$Nx ? \backslash n$ (x>0)

Note: With Dy command, The Period of two Frames < 5 second (to keep the bridge running)

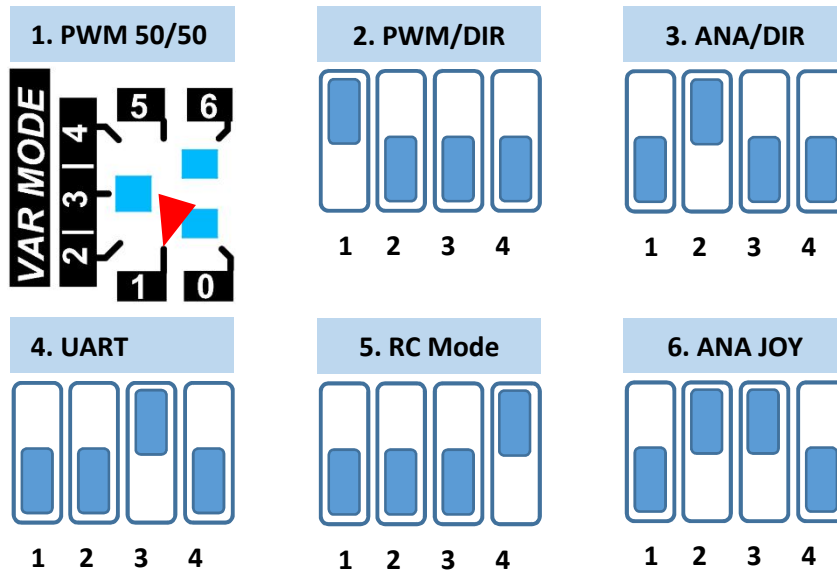


5. Configuration:

DIP SWITCH MODE Configuration:

The smart H-Bridge support many type of communication method such as PWM/DIR, PPM, UARTs,... They combine the input Pin to saving the connection. The Driver will use DIP SWITCH to config witch type of communication you use. **Please configuration Dip Switch Mode before turn on the power.**

Dip switch mode configuration:

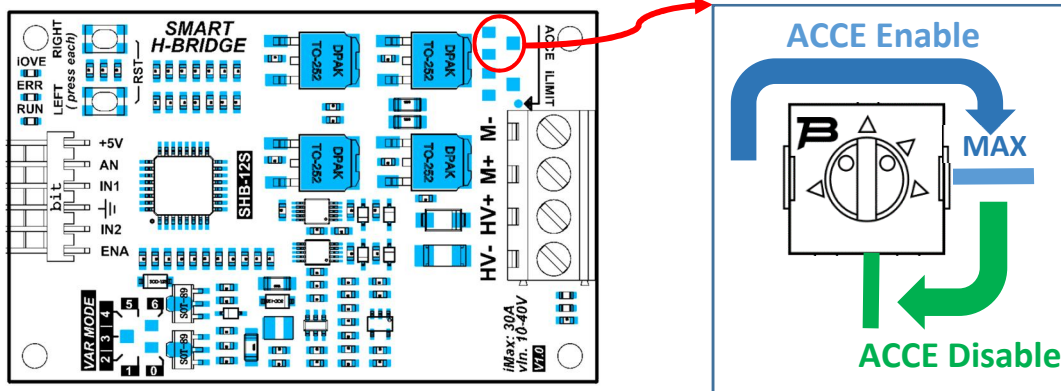


When power on **or** changing mode. The Run LED in the PCB will blinking a X sequence number to confirm witch mode are configured. X = 1 (PWM 50/50), X=2 (PWM/DIR),..., X=6 (ANA/JOY)

Acceleration/Deceleration Configuration:

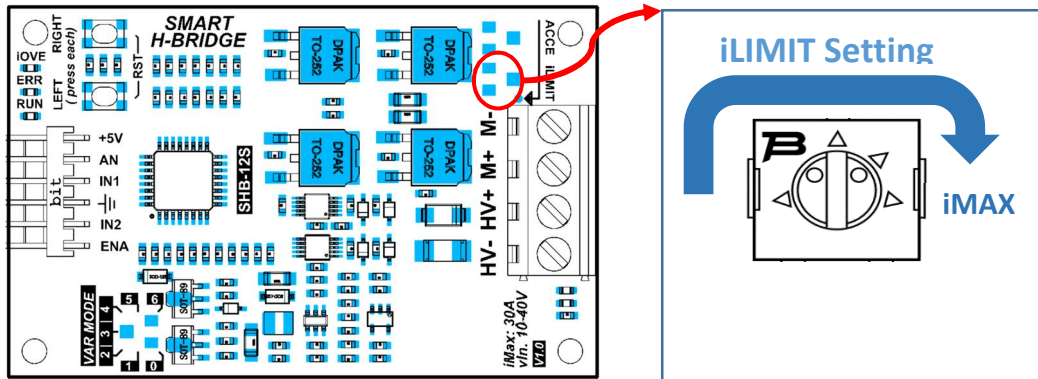
This feature will support to reduce a sudden changing of velocity. They will protect the mechanical and electrical in many cases.

The **ACCE/DECCE** depend on a Variable Resistors ACCE value in PCB. Please see below picture to know the ACCE Enable/Disable Zone (**Disable Zone: No apply ACCE/DECCE**).



iLIMIT Soft Home Sensor Configuration:

The driver support **Electric Current Home Sensor inside** to limit the moving left and right. It is called **iLIMIT SWITCH**. The user don't need add more extended limit switch. The driver will monitor the current when the Motor is running, if the current of the Motor same as with the iLimit (iLimit is a current limit setting by Variable Resistors in PCB) that mean the mechanical is touched. The driver will set a Touched Flag and stop moving that direction. To moving, the driver need control by reverse direction or the Touched Flag need to be clear by UART Command or short time pull down ENA PIN to reset the driver.



LEFT & RIGHT User Button:

Reset the Driver: short press LEFT and RIGHT BUTTON same time to reset the driver.

MOTOR forced Turn Right: Short press RIGHT BUTTON

MOTOR forced Turn Left: Short press the LEFT BUTTON

6. Protection & Indication Feature:

Protection:

Under/Over Voltage (vBus):

The motor driver output will be shut down when the power input voltage drops below the lower limit. This is to make sure the MOSFETs have sufficient voltage to fully turn on and do not overheat. ERR LED will blink during under voltage shutdown.

Temperature Protection:

The maximum current limiting threshold is determined by the board temperature. The higher the board temperature, the lower the current limiting threshold. This way, the driver is able to deliver its full potential depending on the actual condition without damaging the MOSFETs.

Overcurrent Protection with Active Current Limiting

When the motor is trying to draw more current than what the motor driver can supply, the PWM to the motor will be chopped off and the motor current will be maintained at maximum current limit. This prevents the motor driver from damage when the motor stalls or an oversized motor is hooked up. OC LED will turn on when current limiting is in action.

Indication:

RUN LED Blinking	Description (when MCU Reset or Changing the Mode)
1	PWM 50/50 Mode
2	PWM DIR Mode
3	ANA/DIR Mode
4	UART Command Mode
5	RC (PPM signal) Mode
6	Analog Joystick Mode

ERR LED Blinking	Description
1	Under/Over Voltage
2	Over Temperature
3	Over Current
4	No RC signal is detected or the pulse width is out of acceptable range.

iOVER LED ON/OFF	Description
OFF	The iLIMIT Soft Switch don't touch
ON	The iLIMIT Soft Switch touched

7. ENABLE/STATUS Pin Feature:

The ENA Pin is special PIN with Input and out-put ability.

This Pin will pull up to 5V by the driver after Reset state. And pull down if there are any error. The user can read state of this Pin to know the status of driver.

The user can also Reset the driver by config the MCU Pin is a output Pin and set this Pin to GND about 0.5 second and reconfig MCU Pin as input pin to read the status of the driver.

Please reconfig the MCU pin to input after forced Reset the driver

If you don't need to know the status of the driver or reset the driver by MCU, please let it is free.

8. Recommendation:

Wire Gauge

The smaller wire diameter (lower gauge), the higher impedance. Higher impedance wire will broadcast more noise than lower impedance wire. Therefore, when selecting the wire gauge, it is preferable to select lower gauge (i.e. larger diameter) wire. This recommendation becomes more critical as the cable length increases. Use the following table to select the appropriate wire size to use in your application.

Current (A)	Minimum wire size (AWG)
10	#20
15	#18
20	#16

System Grounding

Good grounding practices help reduce the majority of noise present in a system. All common grounds within an isolated system should be tied to PE (protective earth) through a 'SINGLE' low resistance point. Avoiding repetitive links to PE creating ground loops, which are a frequent source of noise. Central point grounding should also be applied to cable shielding; shields should be open on one end and grounded on the other. Close attention should also be given to chassis wires. For example, motors are typically supplied with a chassis wire. If this chassis wire is connected to PE, but the motor chassis itself is attached to the machine frame, which is also connected to PE, a ground loop will be created. Wires used for grounding should be of a heavy gauge and as short as possible. Unused wiring should also be grounded when safe to do so since wires left floating can act as large antennas, which contribute to EMI.

Power Supply Connection

NEVER connect power and ground in the wrong direction, because it will damage the driver. The distance between the DC power supply of the drive and the drive itself should be as short as possible since the cable between the two is a source of noise. When the power supply lines are longer than 50 cm, a **1000 μ F/100V** electrolytic capacitor should be connected between the terminal "GND" and the terminal "+VDC". This capacitor stabilizes the voltage supplied to the drive as well as filters noise on the power supply line. **Please note that the polarity can't be reversed.**

It is recommended to have multiple drivers to share one power supply to reduce cost if the supply has enough capacity. To avoid cross interference, **DO NOT** daisy-chain the power supply input pins of the drivers. Instead, please connect them to power supply separately.